



# Hardware Kit



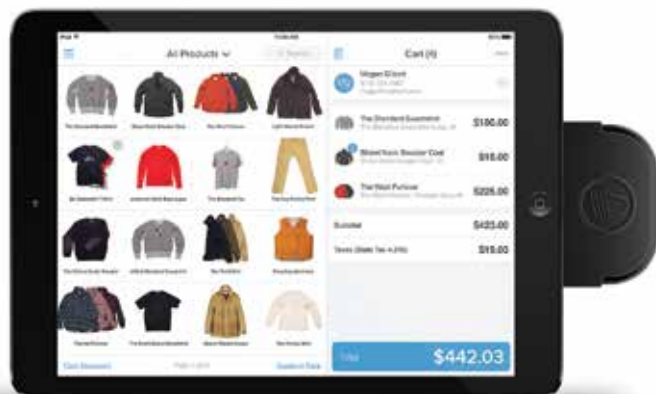


# Congratulations on your new point of sale system

This booklet will guide you through setting up your hardware kit

Follow along with our setup videos  
[shopify.com/pos/setup](https://shopify.com/pos/setup)

Download **Shopify POS** on the Apple App Store



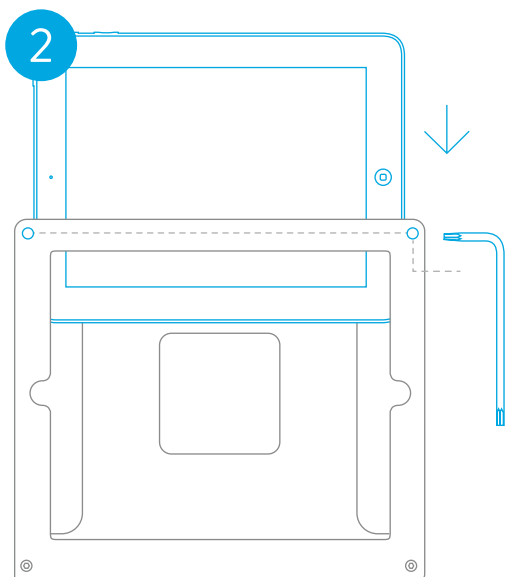
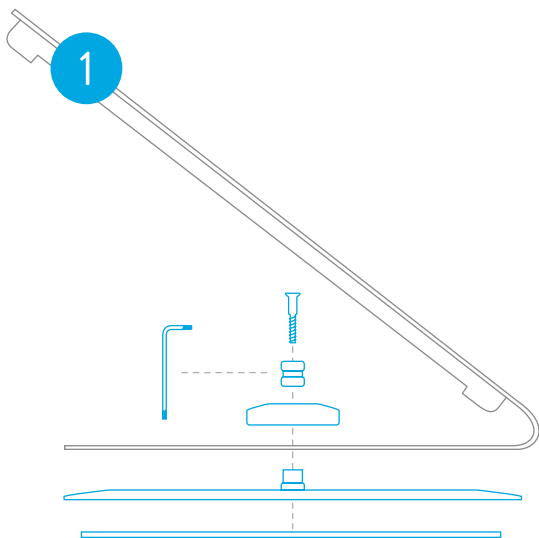
# Windfall iPad Stand

The WindFall iPad stand comes with tools to unscrew the frame and assemble the PivotTable. The PivotTable enables you to spin the stand 360°.

- 1** Assemble the PivotTable as shown through the base of the stand using the smaller Allen key. Two foam pads for the base are provided, allowing for either a permanent or non-permanent installation.
- 2** Use the large Allen key to remove the top two screws. Slide the iPad into the stand from the top, making sure the headphone jack is on the left side. Replace the top two screws and tighten.



*For more detailed assembly instructions, watch our video tutorial at [shopify.com/pos/setup](https://shopify.com/pos/setup)*



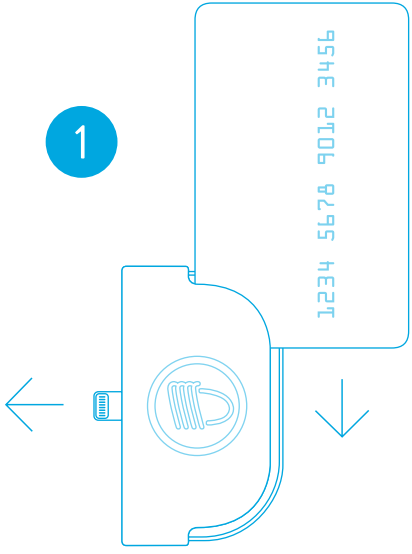
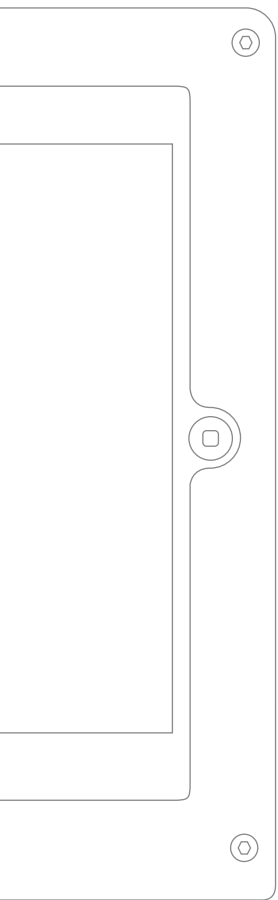
# Card Reader

To charge your iPad while your card reader is attached, plug the included USB cable into a port on the card reader and connect the other end to your power supply.

- 1 Plug the card reader into the port below the home button on your iPad. Swipe credit cards downwards with the front of the card facing you.



*Trouble swiping a damaged card? You can always manually enter the card details using the iPad app.*



# Receipt Printer

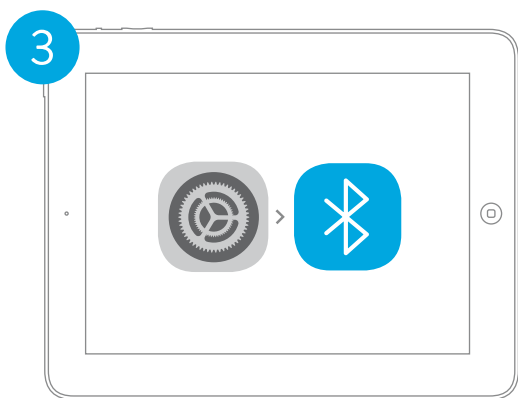
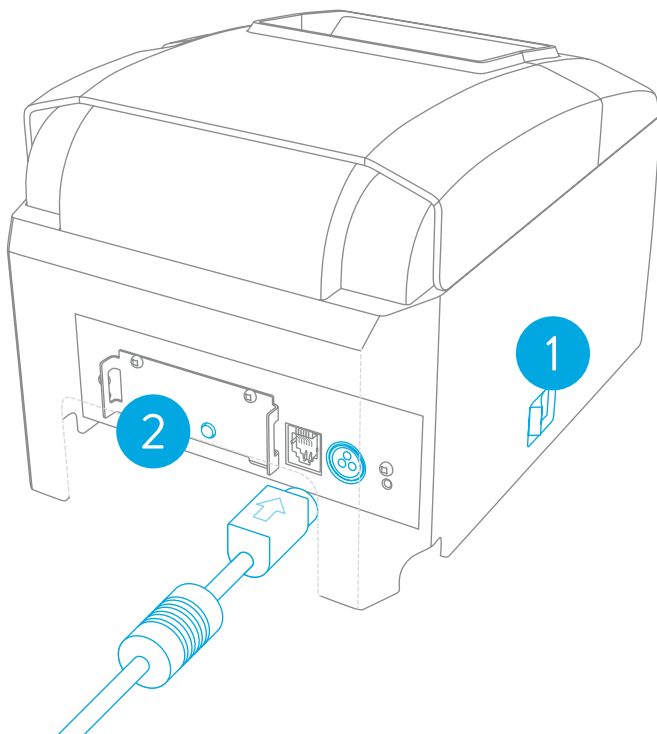
The receipt printer connects wirelessly to your iPad using Bluetooth. For best results, place your wireless Bluetooth receipt printer within 8 meters of your Apple iPad.

- 1** Plug one end of the power cable into the back of your receipt printer, and the other end into a power outlet. Turn the printer ON using the switch on the side. When the printer is ON, the POWER indicator, which is located on the front of the printer, will turn a solid green. The ERROR indicator blinks red when no paper is present.
- 2** Press and hold the red **PAIR** button, located at the back of the printer, for 5 seconds. The LED on the back of the printer will begin flashing to indicate that it is in *pairing mode*, which lasts for 60 seconds.
- 3** While your printer is in *pairing mode*, tap the **Settings** icon on your iPad and select the Bluetooth menu option. From the Bluetooth menu, choose the **Star Micronics** printer. After a short pairing process, the printer will show as “*Connected*”, and the LED will become solid blue.



*Customize what your printed receipts look like in the Settings section of the Shopify POS app.*





# Cash Drawer

The cash drawer connects to the receipt printer with the cable included in this kit. You can open the drawer with the keys provided, or when completing a cash transaction using the Shopify POS app.

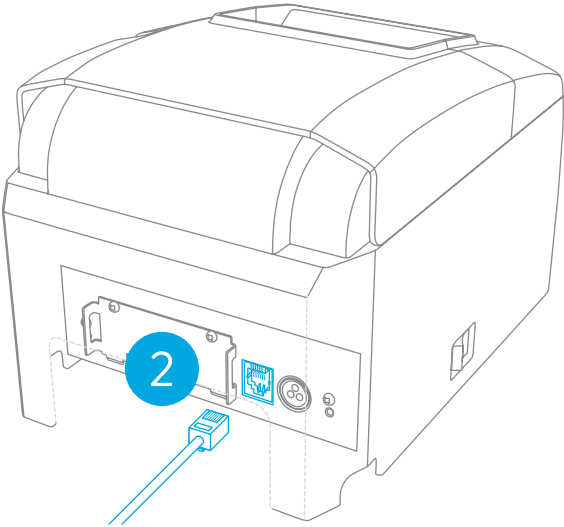
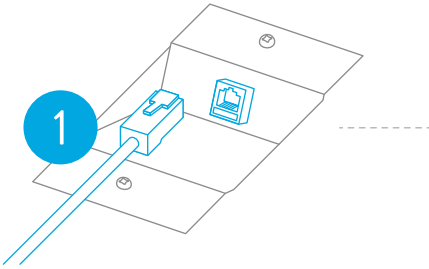
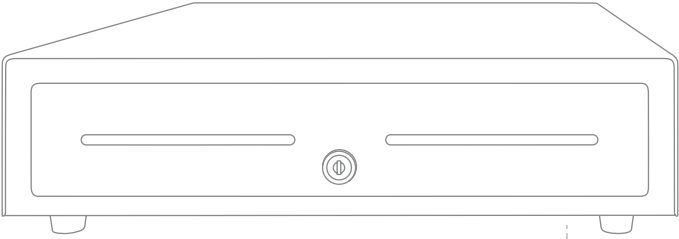
- 1 Turn over the cash drawer. Plug the larger end of the cable into the port on the bottom of the drawer. This cable supplies power to the cash drawer.
- 2 Plug the smaller end of the cash drawer cable into the receipt printer's DK port, located on the back of the printer.



*Remember to keep your cash drawer keys in a safe place.*

## You're all done!

You can test the cash drawer and receipt printer in the Hardware Settings of the Shopify POS app.



# Need help?

Check out our troubleshooting guide  
[docs.shopify.com/pos](https://docs.shopify.com/pos)

Contact our 24/7 support

**1-888-678-9481**

**[pos-support@shopify.com](mailto:pos-support@shopify.com)**



© 2014 Shopify Inc. Shopify, the shopify bag logo, and Shopify POS are trademarks of Shopify and their subsidiaries. Other product and company names mentioned herein may be trademarks of their respective companies. Shopify terms of service are available at [shopify.com/legal/terms](https://shopify.com/legal/terms)

